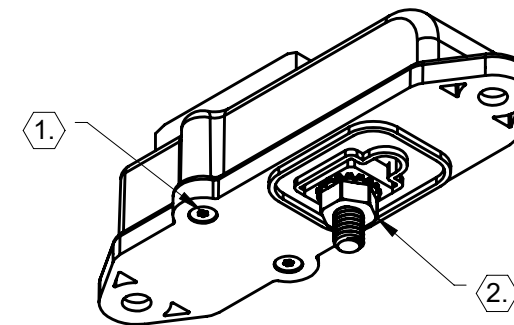
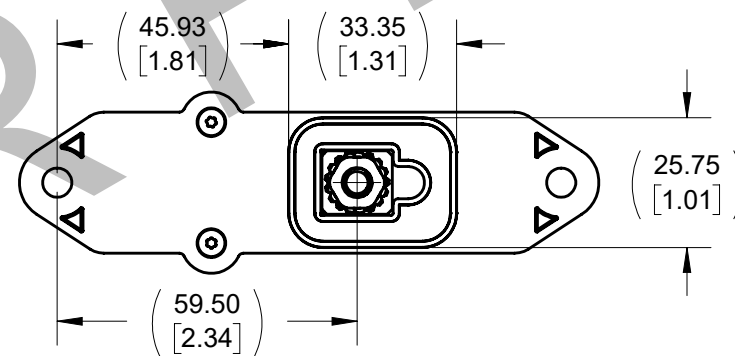
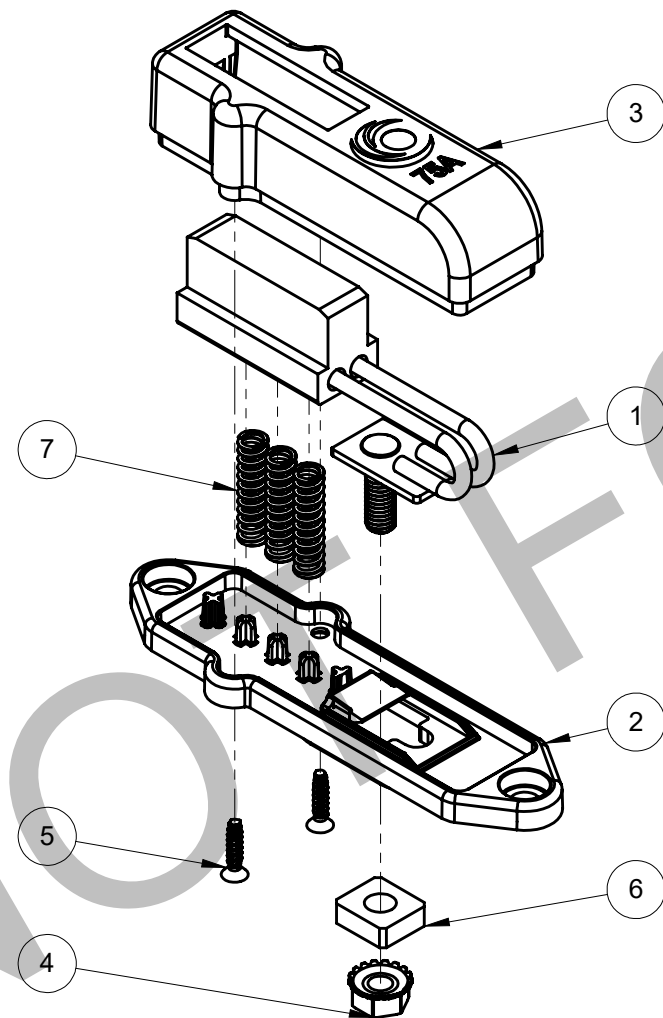
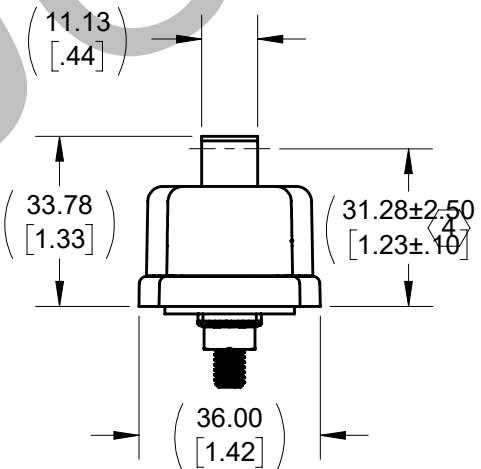
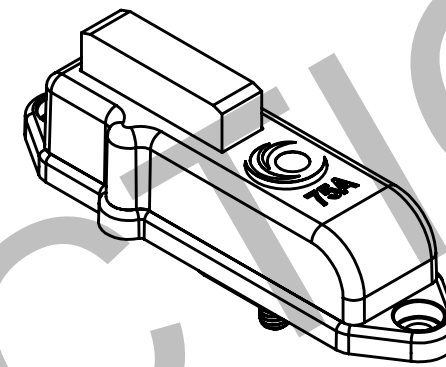
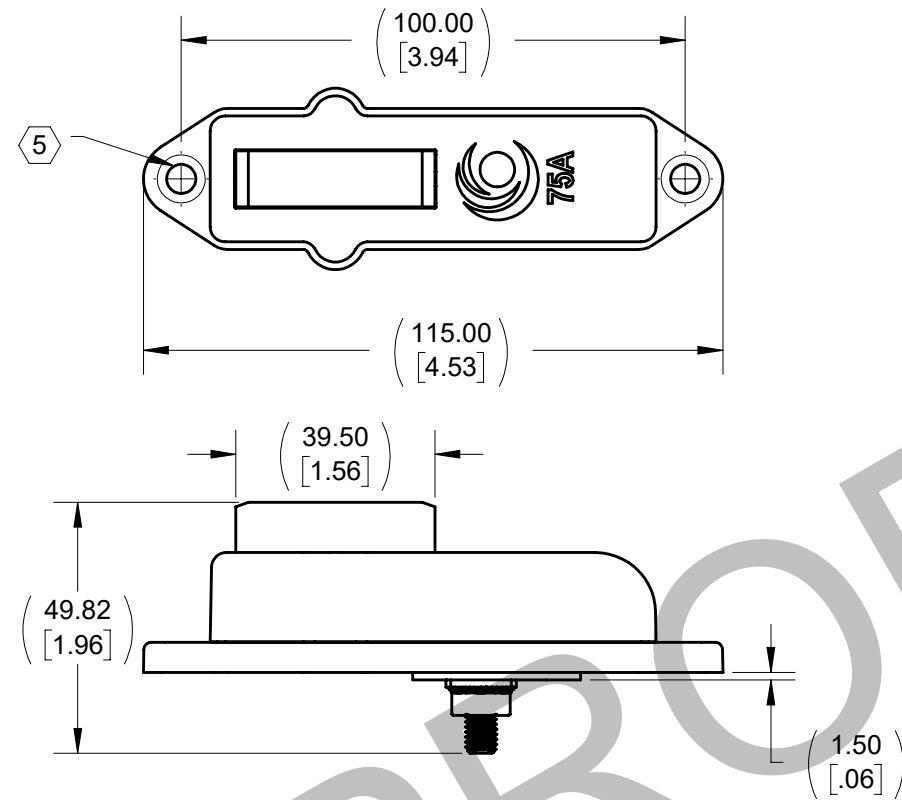


NOTES:

- 1. TORQUE BRUSH COVER SCREWS TO 1.2 N-m (11 IN-LBS.).
- 2. TORQUE POWER TERMINAL M6 NUTS TO 5.7 N-m (50 IN-LBS.) (AT INSTALLATION).
- 3. SPECIFICATIONS
RATING: UL 583, 75A
CONTINUOUS, 60VDC (25VAC)
MAX
POSITIONING TOLERANCE +/-:
X=5MM; Y=5MM; Z=2.5MM
- 4. TARGET MOUNTING DISTANCE AT MID-STROKE. BRUSHES SHOWN WITH 0.5MM PRELOAD.
- 5. MOUNTING HARDWARE: M5 SOCKET HEAD CAP SCREW.



ITEM	MATERIAL NO. 2	DESCRIPTION	QTY.	UNIT
7	XA-598862	SPRING COMPRESSION .24 OD X .17 ID X 1.0	3	PC
6	XA-594129	SPACER TERMINAL MCC LUG	1	PC
5	XA-591656	SCREW 4-20 x .50 LG THD ROLL PLSTC SST	2	PC
4	XA-104380	NUT M6-1.00 HEX KEPS SST	1	PC
3	XA-601404	HOUSING COLLECTOR 75A NANO+	1	PC
2	XA-602942	COVER MOUNT SINGLE 75A NANO+	1	PC
1	XA-601277	BRUSH ASSEMBLY 75A NANO+	1	PC

STATUS: PRE-RELEASED		DESCRIPTION: COLLECTOR ASSY SINGLE 75A NANO+	
ER NO.	ECO-49916	UNLESS OTHERWISE SPECIFIED	
ER DATE	10/07/2022	INTERPRET GEOMETRIC TOLERANCING PER: ASME Y14.5	
ER ENGR.	J SMITH	PRIMARY UNITS ARE IN MM KG SECONDS	
ER APPR.	D SAMPSON	SECONDARY UNITS IN INCHES LB SECONDS	
DRAWN:	J SMITH	TOLERANCES ARE AS FOLLOWS	
APPR:	D SAMPSON	DECIMAL = UNLESS OTHERWISE SPECIFIED	
	10/03/2022	X = ± 2.5 MM [0.1 IN]	
		X.X = ± 0.8 MM [0.03 IN]	
		X.XX = ± 0.25 MM [0.010]	
		ANG ± 1°	
		THREAD CLASS: 6G EXTERNAL / 6H INTERNAL	
		ALL DIMENSIONS GREATER THAN 800MM HAVE A TOLERANCE OF ± 2MM UNLESS OTHERWISE SPECIFIED	
MATERIAL NO. 2:		X.A-CCC075A1W0	
SIZE B		SCALE: 2:3	
WEIGHT(REF): 0.14 KG		MATL:	
SHEET 1 OF 1		REV 0	

