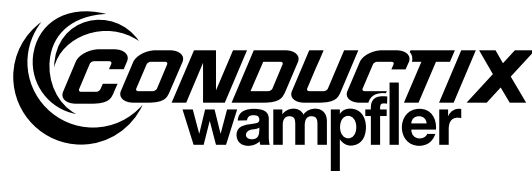


Mounting Instructions



Conductor Rail Program 0832

Console/Floor Support



First of all please read the operating instructions BAL0832-0001 with the included system description. These are included in the basic module.



The console/floor support may only be anchored in the subsoil by means of the supplied metal anchor under the conditions of dry interiors (HSA M10 x 50/40/10).

1 Required tools

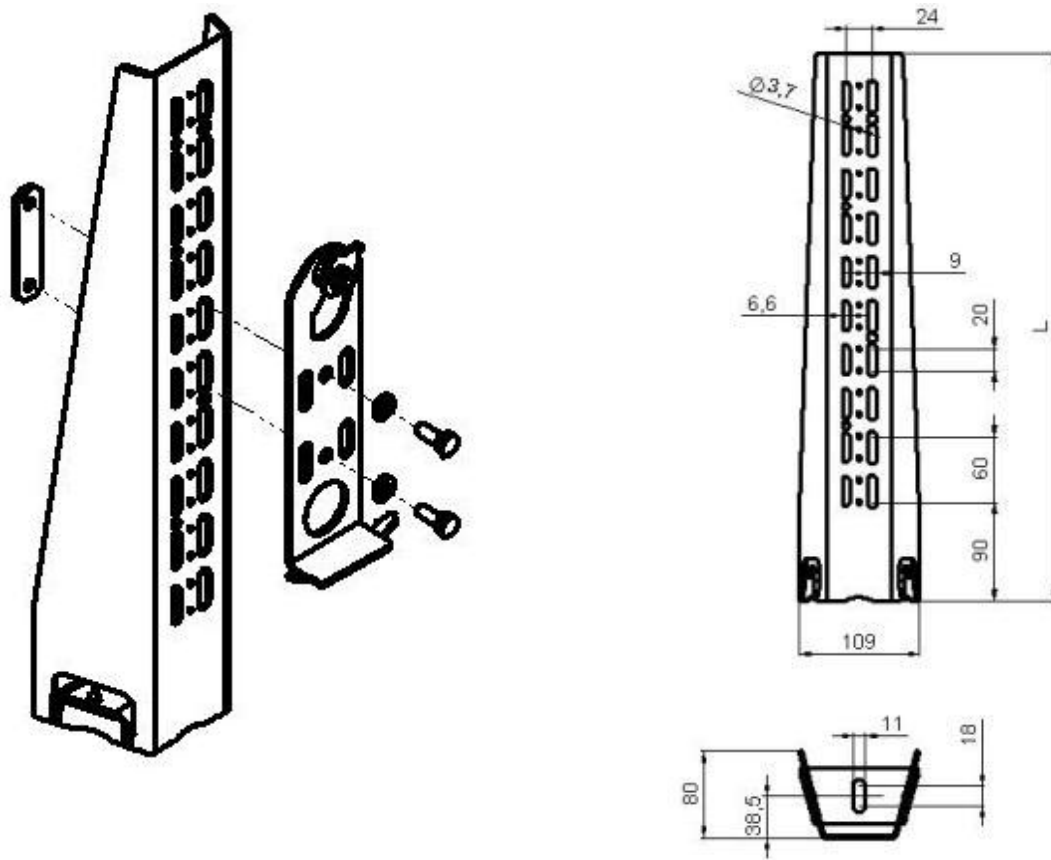
The console/floor support is used if the conductor rail (e.g. EcoClickLine) cannot be mounted to existing shelf supports and/or further adapters (see MV0832-0017) cannot/shall not be applied.

To the console you can adapt system holders with M6, M8 or drilling screws (hole pattern D = 3.7).

Anchor the console in the subsoil with the supplied metal (assembly see page 2)

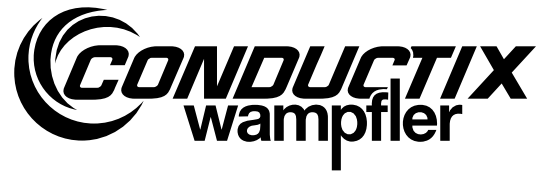
Ensure that the consoles are aligned with the rail of the storage and retrieval machine.

(see also BAL0832-0001).



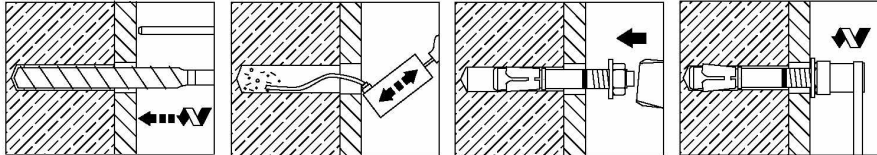
Height L	Order no. (pack of 5)
300 mm	080043-11x11x0300
400 mm	080043-11x11x0400
500 mm	080043-11x11x0500
600 mm	080043-11x11x0600

Mounting Instructions



Conductor Rail Program 0832 Console/Floor Support

2 Sequence of the assembly steps



HSA (M10):

Torque on anchoring: **35 Nm**



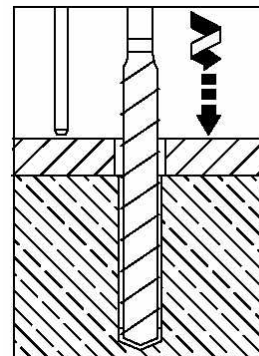
WARNING!

The subsoil where the console/floor support shall be anchored must have the following characteristics:

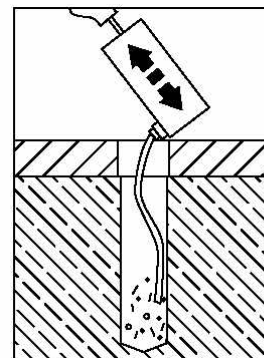
- Normal concrete of the strength class at least C20/25 and at the most C50/60 according to EN 206-1:2000-12
- The concrete must be free from cracks

→ Drill a hole in the subsoil

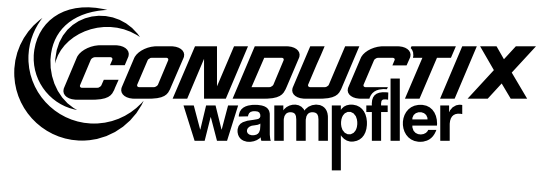
- Diameter of the drilling: 10 mm
- Min. borehole depth: 55 mm



→ Clean borehole



Mounting Instructions

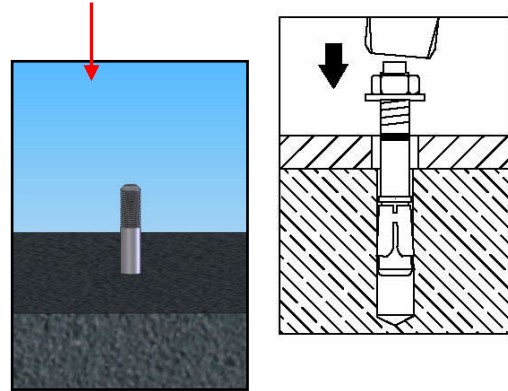


Conductor Rail Program 0832 Console/Floor Support

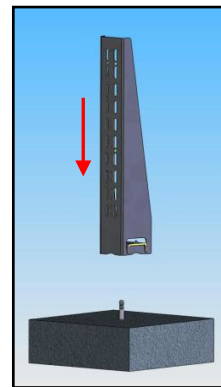
→ Insert dowel into the drilled hole

CAUTION!

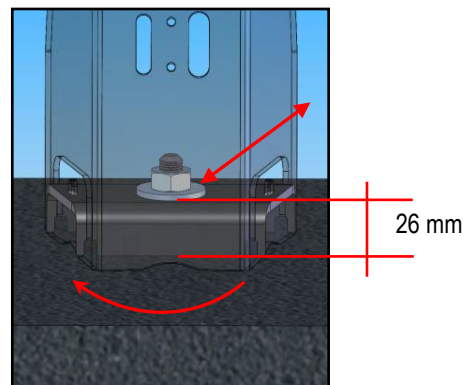
Use the appropriate setting tool of the manufacturer



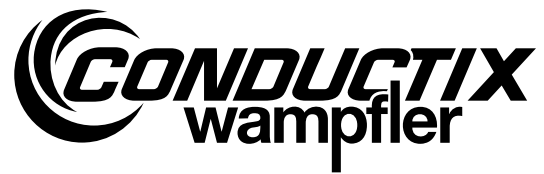
→ Plug on console



→ Position console



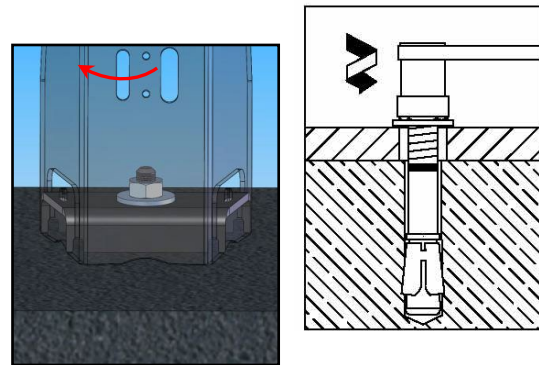
Mounting Instructions



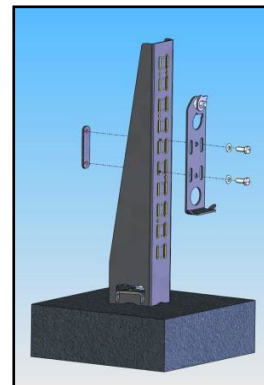
Conductor Rail Program 0832 Console/Floor Support

→ Fix console

- Torque on anchoring: **35 Nm**



→ e.g. mount system holder EcoClickLine



If the surface of the ground is not sufficiently resistant, it might be damaged. Use an intermediate layer between floor and console/floor support, if the surface of the ground will be damaged.



CAUTION!

Observe actual anchoring depth!

The actual anchoring depth is observed, if the thickness of the fixing part of the console/floor support plus the intermediate layer is not larger than the maximum thickness of the attachment part molded at the dowel, and the hexagon head nut is mounted in line with the end of the thread.

For further details to the segment anchors see www.hilti.de (Tel. No. 0800-888 55 229).

Comment:

All figures are intended as aids. They may not correspond to the current state of a component or assembly group!



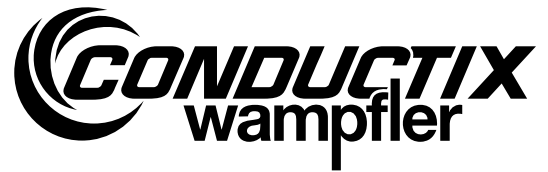
CAUTION!

Notice the mounting instruction!

Conductix-Wampfler does not accept any liability or responsibility for damage and interruptions of operations that result from failure to follow these operating instructions.

Mounting Instructions

Conductor Rail Program 0832 Console/Floor Support



Conductix-Wampfler GmbH
Rheinstraße 27 + 33
79576 Weil am Rhein - Märkt
Germany

Phone: +49 (0) 7621 662-0
Fax: +49 (0) 7621 662-144
info.de@conductix.com
www.conductix.com



Importer for the United Kingdom:
Conductix-Wampfler Ltd.
1, Michigan Avenue
Salford
M50 2GY
United Kingdom

Phone: +44 161 8480161
Fax: +44 161 8737017
info.uk@conductix.com
www.conductix.com