



MiniEth

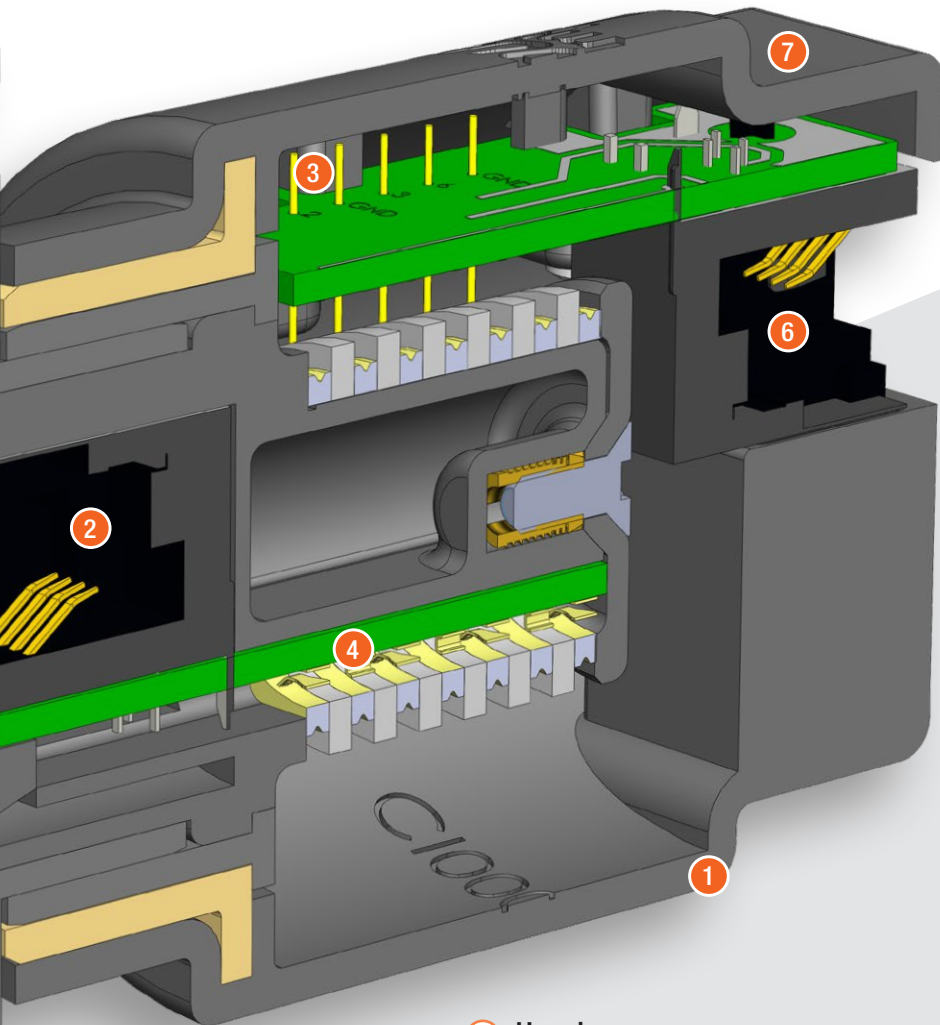
Slip Rings

 **CONDUCTIX**
wampfler

MiniEth | Slip Rings

- Patent pending (1° Slip Ring for Data Transmission without wires)
- Plug and play
- Compact Dimensions
- Reliable Ethernet Transmission (even for Real Time)
- Shield Managed in the slip ring
- Cost Optimized
- Up to 100rpm
- Easy connection through standard flange
- Suitable for Power Over Ethernet

MiniEth I Main Features



1 Housing
Plastic PA12

2 RJ45 Socket
On “rings side”

3 PCB + Gold Wires
On “brushes side” – Optimized Transmission layout – Integrated RJ45 socket

4 PCB + Contacts
On “rings side” – Optimized Transmission layout – Integrated RJ45 socket

5 Flange
Integrated in the Slip Ring for easy installation

6 RJ45 Socket
On “brushes side”

7 Anti-rotation surface
Integrated in the slip ring enclosure

The ideal solution for rotating tasks in countless industrial applications

General Industry Machines

Cost optimized – industrialized – fast delivery

Environment and recycling

Integrated in IP65 Slip Rings – cost optimized

Overhead cranes

Cost optimized – industrialized

Construction (Tower cranes – Excavators – Hydraulic Platforms)

Integrated in IP65 Slip Rings – cost optimized - compact

Amusement rides

Integrated in IP65 Slip Rings – cost optimized - compact – fast delivery

Stage Technology (Rotary Stage or in Reeling Systems)

Up to 1Gbps – performances guaranteed with long cable tails

Packaging Machines (Filling, Bottling, Labelling...)

Real Time Ethernet Transmission – Compact – fast delivery

Machine Tools

Real Time Ethernet Transmission – Integrated in power Slip Rings

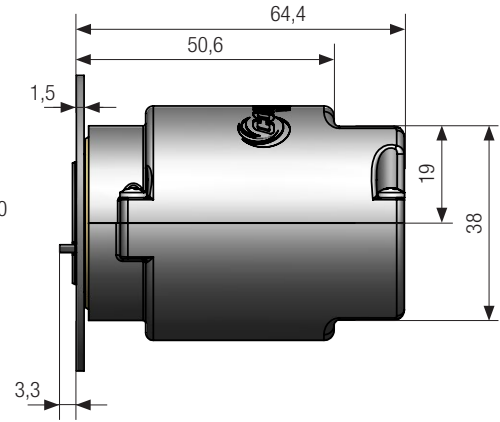
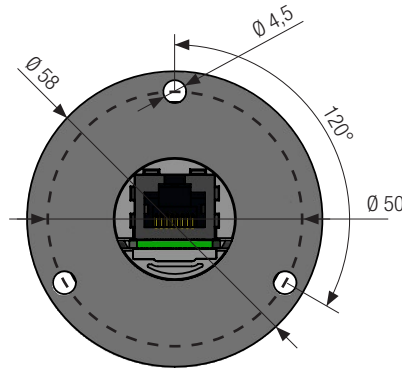


Construction & Design

MiniEth – 1 line 100 Mbps

Main External Dimensions

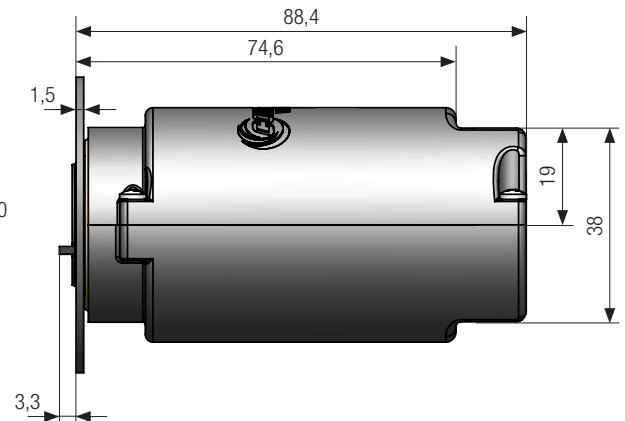
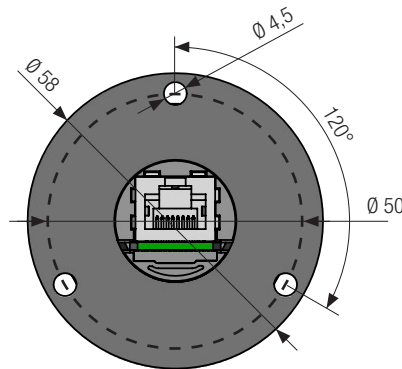
- Length 67,7 mm
- Body diameter 46 mm
with 2x flat spot at 38 mm,
with depth 13,8 mm
- Flange
with 3 holes $\varnothing 4,5$ mm
at 120° on a circle 50 mm



MiniEth – 1 line 1Gbps

Main External Dimensions

- Length 91,7 mm
- Body diameter 46 mm
with 2x flat spot at 38 mm,
with depth 13,8 mm
- Flange
with 3 holes $\varnothing 4,5$ mm
at 120° on a circle 50 mm



www.conductix.com

Conductix-Wampfler has just one critical mission:
To provide you with energy and data transmission
systems that will keep your operations up and
running 24/7/365.

To contact your nearest sales office, please refer to:
www.conductix.contact

